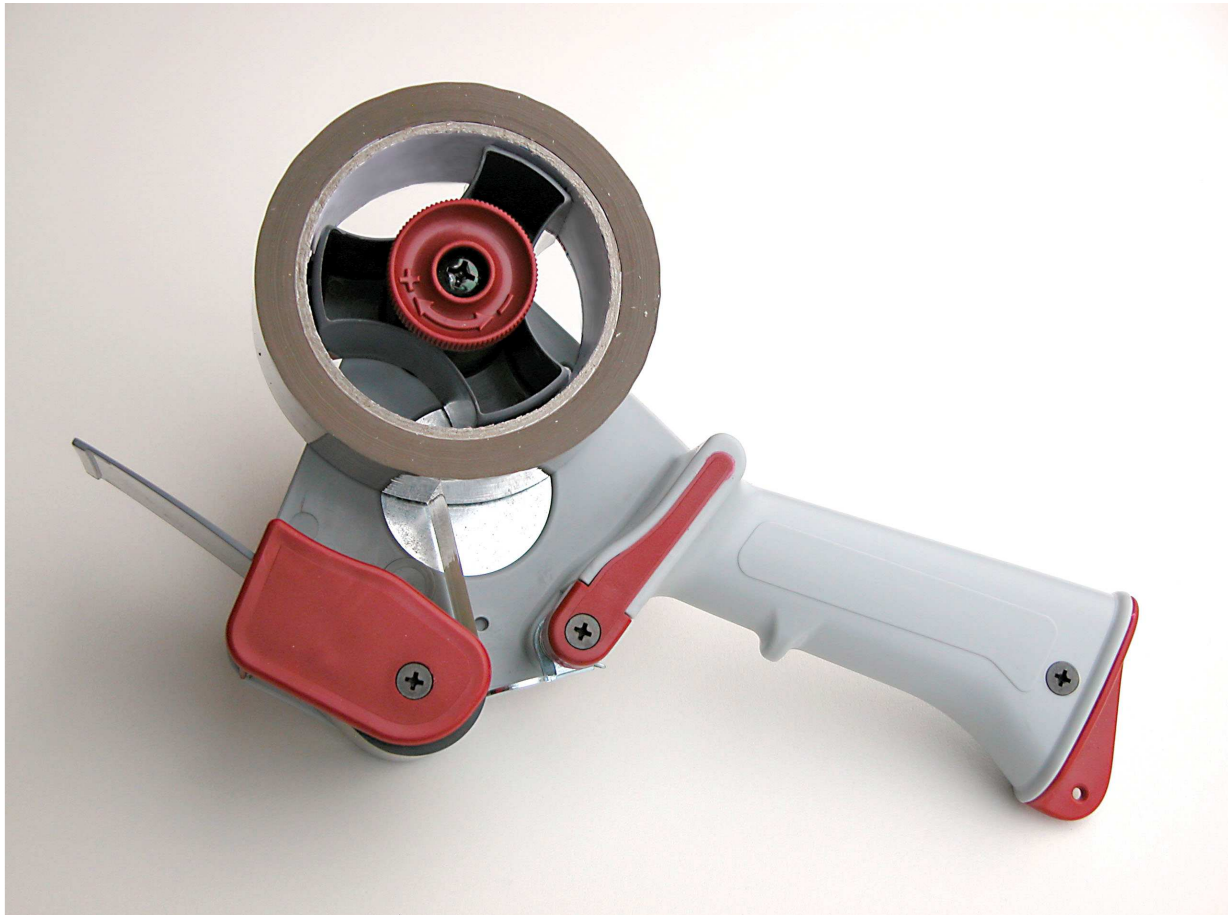




SIRTEC S.r.l.

Packaging innovation

SD1 Hand dispenser



SD1 Hand dispenser

SIRTEC dispensers are extremely user friendly and can be especially used at the smaller packaging departments. Or there where use of taping machines, is impossible due to lack of space.

The manual dispenser can be applied for almost every type of self adhesive tape, starting from 50mm width up to 100mm.

Our dispensers are easy to carry, and made out of high quality plastic, with additional metal reinforcements where needed, to guarantee a long lifetime.

Also with small machines, safety is an issue. We have put extra emphases at the position of the knife and the knife protection blade, to prevent accidents while using our tool.

The tool is also equipped with brake, in order to control tape feed in the direction of the box.

SIRTEC S.r.l. – www.sirtec.biz – E-mail: info@sirtec.biz

P.I. 03017070123 – REA 313760

Banca Popolare di Milano – Agenzia di Vedano Olona – IBAN: IT47 V 05584 50620 0000 0000 1061 – SWIFT: BPM IITM 1229
Sede Operativa / Commerciale Italia; Via Martinengo 1 – 21040 VEDANO OLONA – VA – Tel 0332 400490 – Fax 0332 404028
Sede Commerciale Estero; Via Monte Pigneto 55 – 37013 CAPRINO VERONESE – VR



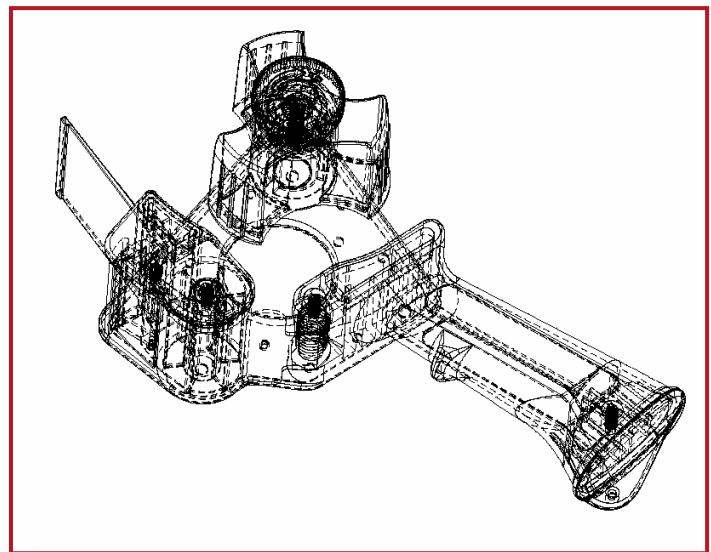
SIRTEC S.r.l.

Packaging innovation

Features SD1 dispenser



- Portable, light weight, easy to operate hand held tape dispenser
- Ergonomic handle;
- For medium duty use;
- Width 50 / 75 and 100mm;
- Core diameter 76mm;
- Max diameter 145mm;
- Adjustable clutch;
- Pressure roll for perfect tack;
- Blade protection;
- Can be used with all box sealing tapes;
- Packed in printed box;
- Personalization possible.



Article codes

Code	Description
HI00400.00A	SD1 Tape Dispenser 50mm. With metal reinforcement plate;
HI00406.00A	SD1-P Tape Dispenser 50mm. Without metal reinforcement plate;
HI00407.00A	SD2-P Tape Dispenser 50mm. Without metal reinforcement plate, fixed brake;
HI00402.00A	SD3 Tape Dispenser 50mm. Without metal reinforcement plate, adjustable brake;
HI00409.00A	SD-75 Tape Dispenser 50mm. Metal construction, adjustable brake.

SIRTEC S.r.l. – www.sirtec.biz – E-mail: info@sirtec.biz

P.I. 03017070123 – REA 313760

Banca Popolare di Milano – Agenzia di Vedano Olona – IBAN: IT47 V 05584 50620 0000 0000 1061 – SWIFT: BPM IITM 1229
Sede Operativa / Commerciale Italia; Via Martinengo 1 – 21040 VEDANO OLONA – VA – Tel 0332 400490 – Fax 0332 404028
Sede Commerciale Estero; Via Monte Pigneto 55 – 37013 CAPRINO VERONESE – VR