

## DISCOVERY A

|                                                                                                                                                                                                                                                                                                                                                                                                                                                                                                                                                                                       |                                                                                                                                                                                                                                                                                                                                                                                                                                                                                                                                      |                                                                                                                                                                                                                                                                                                                                                                                                                                                                                                                                                                                   |                                                                                                                                                                                                                                                                                                                                                                                                                                                                                                                                                   |                                                                                                                                                                                                                                                                                                                                                                                                                                                                                                                                               |
|---------------------------------------------------------------------------------------------------------------------------------------------------------------------------------------------------------------------------------------------------------------------------------------------------------------------------------------------------------------------------------------------------------------------------------------------------------------------------------------------------------------------------------------------------------------------------------------|--------------------------------------------------------------------------------------------------------------------------------------------------------------------------------------------------------------------------------------------------------------------------------------------------------------------------------------------------------------------------------------------------------------------------------------------------------------------------------------------------------------------------------------|-----------------------------------------------------------------------------------------------------------------------------------------------------------------------------------------------------------------------------------------------------------------------------------------------------------------------------------------------------------------------------------------------------------------------------------------------------------------------------------------------------------------------------------------------------------------------------------|---------------------------------------------------------------------------------------------------------------------------------------------------------------------------------------------------------------------------------------------------------------------------------------------------------------------------------------------------------------------------------------------------------------------------------------------------------------------------------------------------------------------------------------------------|-----------------------------------------------------------------------------------------------------------------------------------------------------------------------------------------------------------------------------------------------------------------------------------------------------------------------------------------------------------------------------------------------------------------------------------------------------------------------------------------------------------------------------------------------|
| <p><b>It</b><br/><b>CARATTERISTICHE TECNICHE</b></p> <ul style="list-style-type: none"> <li>&gt; Peso Max. carico: 2000 kg.</li> <li>&gt; Dimensione carico: 1000 x 1200 mm.</li> <li>&gt; Altezza utile di avvolgimento: 2000 mm.</li> <li>&gt; Velocità max. rotazione tavola: 16rpm.</li> <li>&gt; Altezza di lavoro: 400-500 mm.</li> <li>&gt; Potenza totale installata: 3Kw</li> <li>&gt; Tensione alimentazione: 400V-50 Hz - 3F+N+T</li> <li>&gt; Protezione macchina: IP54</li> <li>&gt; Pressione esercizio: 6bar.</li> <li>&gt; Disponibilità di vari optional.</li> </ul> | <p><b>En</b><br/><b>TECHNICAL FEATURES:</b></p> <ul style="list-style-type: none"> <li>&gt; Max. load weight: 2000 Kg.</li> <li>&gt; Load dimensions: 1000 x 1200 mm.</li> <li>&gt; Wrapping height: 2000 mm.</li> <li>&gt; Max. Rotation speed: 16Rpm.</li> <li>&gt; Working height: 400-500 mm.</li> <li>&gt; Total installed power: 3Kw</li> <li>&gt; Std. Power supply: 400V-50 Hz - 3PH+N+G</li> <li>&gt; Machines protection: IP54</li> <li>&gt; Operating pressure: 6bar.</li> <li>&gt; Various options available.</li> </ul> | <p><b>Fr</b><br/><b>CARACTERISTIQUES TECHNIQUES:</b></p> <ul style="list-style-type: none"> <li>&gt; Poids max. 2000 Kg.</li> <li>&gt; Dimensions palette: 1000 x 1200 mm</li> <li>&gt; Hauteur de banderolage: 2000 mm.</li> <li>&gt; Vitesse de rotation max: 16t/min.</li> <li>&gt; Hauteur de travail: 400 - 500mm</li> <li>&gt; Puissance totale installée: 3Kw</li> <li>&gt; Tension alimentation std. 3 x 400V+N+T / 50Hz</li> <li>&gt; Protection de la machine: IP 54</li> <li>&gt; Pression de travail: 6bar.</li> <li>&gt; Différentes options disponibles.</li> </ul> | <p><b>De</b><br/><b>TECHNISCHE DATEN:</b></p> <ul style="list-style-type: none"> <li>&gt; Max. Gewicht 2000 Kg.</li> <li>&gt; Maße der palette: 1000 x 1200 mm.</li> <li>&gt; Höhe der palette: 2000 mm</li> <li>&gt; Max. Drehgeschwindigkeit: 16UpM.</li> <li>&gt; Bodenhöhe: 400-500 mm.</li> <li>&gt; Installierte Gesamtleistung 3Kw</li> <li>&gt; Std.Versorgungsspannung: 400V-50 Hz - 3PH+N+G</li> <li>&gt; Maschine Schutz: IP54</li> <li>&gt; Arbeits-Druckleistung: 6bar</li> <li>&gt; Verschiedene Optionen zur Verfügung.</li> </ul> | <p><b>Es</b><br/><b>CARACTERÍSTICAS TÉCNICAS:</b></p> <ul style="list-style-type: none"> <li>&gt; Peso máx palet: 2000 Kg.</li> <li>&gt; Dimensiones del palet: 1000 x 1200 mm</li> <li>&gt; Altura del palet: 2000 mm</li> <li>&gt; Max. Rotation speed: 16Rpm.</li> <li>&gt; Working height: 400-500 mm</li> <li>&gt; Total installed power: 3Kw</li> <li>&gt; Std. Power supply: 400V-50 Hz - 3PH+N+G</li> <li>&gt; Machines protection: IP54</li> <li>&gt; Operating pressure: 6bar</li> <li>&gt; Varias opciones disponibles.</li> </ul> |
|---------------------------------------------------------------------------------------------------------------------------------------------------------------------------------------------------------------------------------------------------------------------------------------------------------------------------------------------------------------------------------------------------------------------------------------------------------------------------------------------------------------------------------------------------------------------------------------|--------------------------------------------------------------------------------------------------------------------------------------------------------------------------------------------------------------------------------------------------------------------------------------------------------------------------------------------------------------------------------------------------------------------------------------------------------------------------------------------------------------------------------------|-----------------------------------------------------------------------------------------------------------------------------------------------------------------------------------------------------------------------------------------------------------------------------------------------------------------------------------------------------------------------------------------------------------------------------------------------------------------------------------------------------------------------------------------------------------------------------------|---------------------------------------------------------------------------------------------------------------------------------------------------------------------------------------------------------------------------------------------------------------------------------------------------------------------------------------------------------------------------------------------------------------------------------------------------------------------------------------------------------------------------------------------------|-----------------------------------------------------------------------------------------------------------------------------------------------------------------------------------------------------------------------------------------------------------------------------------------------------------------------------------------------------------------------------------------------------------------------------------------------------------------------------------------------------------------------------------------------|

www.sirtec.it - 02-2012



UN GRUPPO A DIFESA  
DEI TUOI PRODOTTI

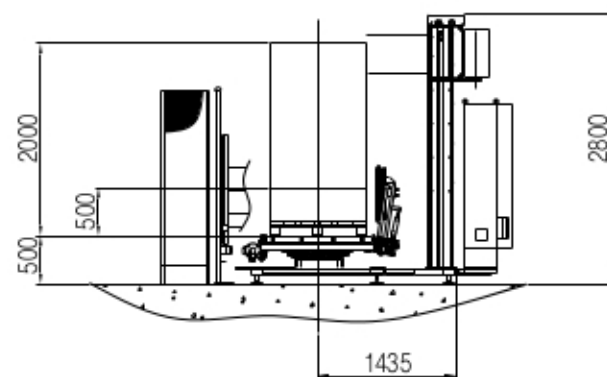
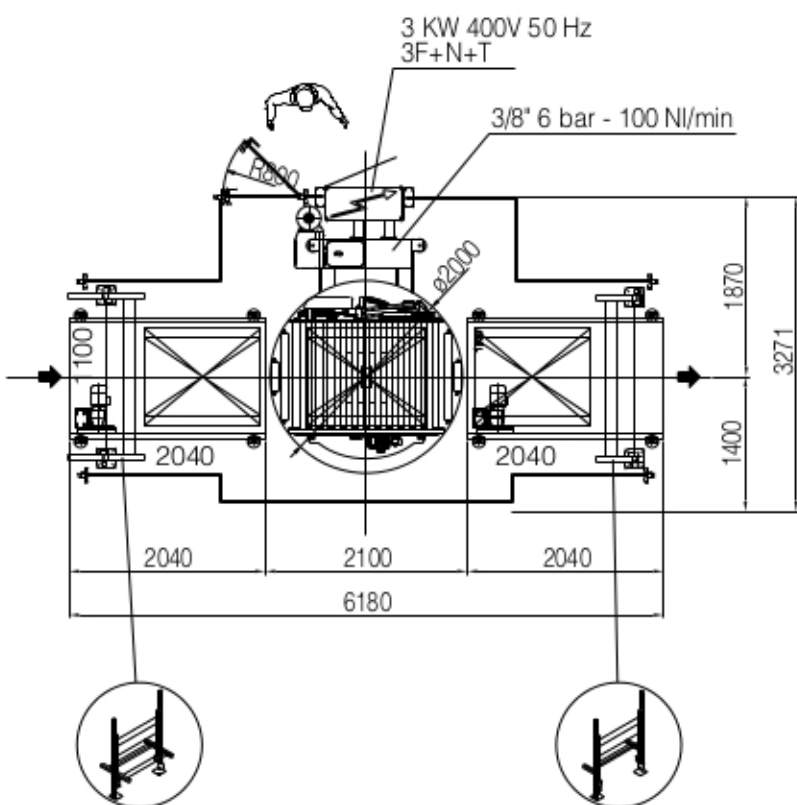
A GROUP IN DEFENSE  
OF YOUR PRODUCTS

UN GROUPE POUR  
PROTEGER VOS PRODUITS

EINE EINHEIT ZUM  
SCHUTZ IHRER PRODUKTE

UN GRUPO EN DEFENSA  
DE SUS PRODUCTOS

# DISCOVERY-A



It\_ Le indicazioni riportate non sono impegnative.  
 En\_ The information given is not binding.  
 Fr\_ Les indications fournies ne sont pas contraignantes.  
 De\_ Die Angaben sind unverbindlich.  
 Es\_ Las indicaciones presentadas no nos comprometen.

 **SIRTEC S.r.l.**  
Packaging innovation

 **SIRTEC S.r.l.**  
Packaging innovation